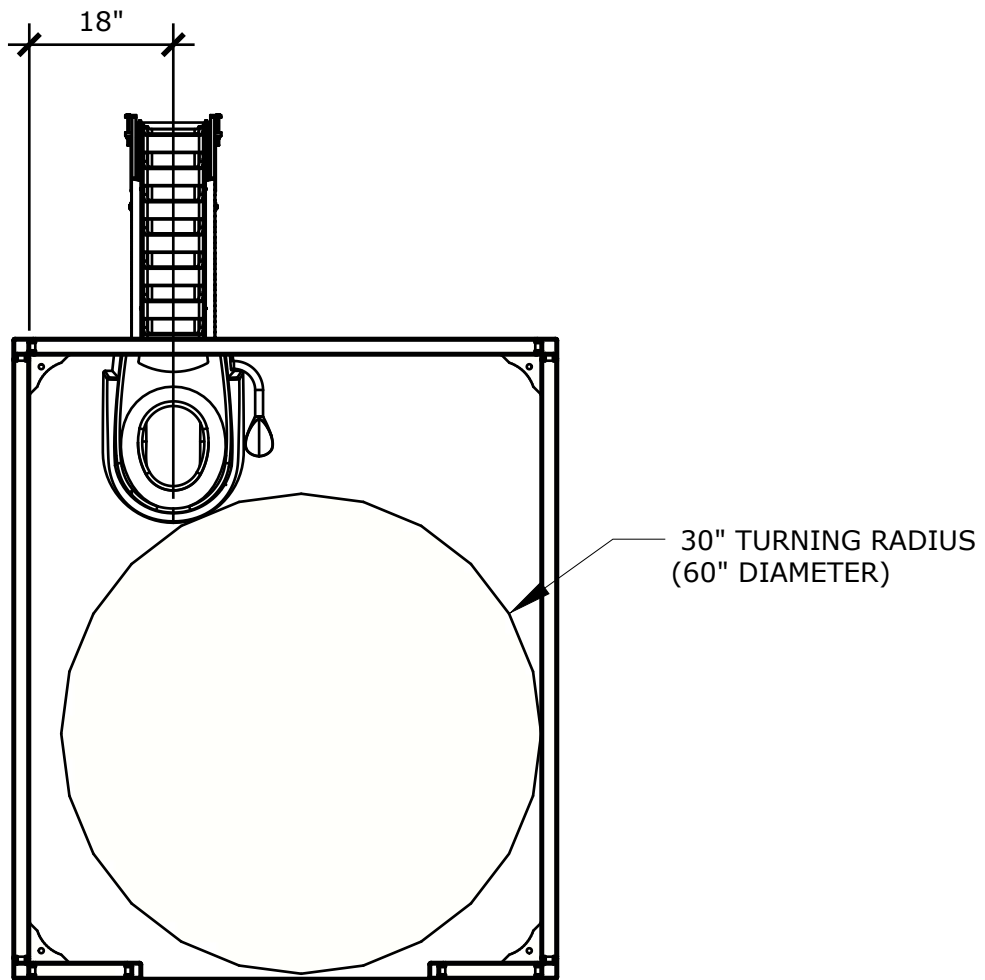

	<b>WISHBONE SITE FURNISHINGS LTD</b> 210-27090 GLOUCESTER WAY LANGLEY, BC			
	<b>DWG. TITLE:</b> FOREST SERIES WHEELCHAIR ACCESSIBLE OUTHOUSE BUILDING <b>REVISION:</b> 03/08/18 R:00			
<b>MATERIAL:</b> ALUMINUM	<b>DWG. NO.</b> DWSBOH03081800	<b>DRAWN BY:</b> BRAD SULLIVAN		
<b>PATTERN NO.</b> N/A	<b>MODEL NO.</b> FSTB-1-WC	<b>SCALE:</b> 1:48	<b>SHEET:</b> 1 OF 3	<b>DATE:</b> 03 AUG 18



	<b>WISHBONE SITE FURNISHINGS LTD</b> 210-27090 GLOUCESTER WAY LANGLEY, BC			
	<b>DWG. TITLE:</b> FOREST SERIES WHEELCHAIR ACCESSIBLE OUTHOUSE BUILDING <b>REVISION:</b> 03/08/18 R:00			
<b>MATERIAL:</b> ALUMINUM	<b>DWG. NO.</b> DWSBOH03081800	<b>DRAWN BY:</b> BRAD SULLIVAN		
<b>PATTERN NO.</b> N/A	<b>MODEL NO.</b> FSTB-1-WC	<b>SCALE:</b> 1:24	<b>SHEET:</b> 2 OF 3	<b>DATE:</b> 03 AUG 18



Wishbone  
site furnishings

**WISHBONE SITE FURNISHINGS LTD**

210-27090 GLOUCESTER WAY LANGLEY, BC

**DWG. TITLE:** FOREST SERIES WHEELCHAIR ACCESSIBLE OUTHOUSE BUILDING

**REVISION:** 03/08/18 R:00

**MATERIAL:**  
ALUMINUM

**DWG. NO.**  
DWSBOH03081800

**DRAWN BY:**  
BRAD SULLIVAN

**PATTERN NO.**  
N/A

**MODEL NO.**  
FSTB-1-WC

**SCALE:**  
AS SHOWN

**SHEET:**  
3 OF 3

**DATE:**  
03 AUG 18